

INTENSIVE GREEN SAND MIXER



WESMAN FOUNDRY EQUIPMENT

ROTOMIX

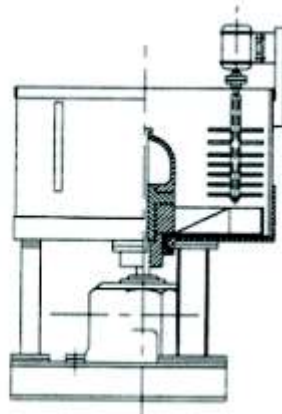
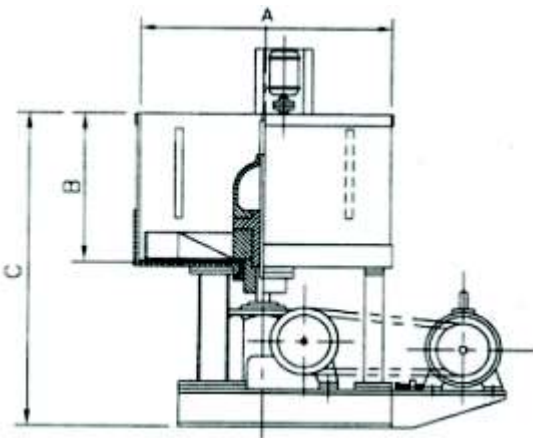
WESMAN ROTOMIX RM-SERIES MIXERS

are designed for intensive mixing of green sand with bentonite or other additives to prepare moulding sand with high compactability.

For quick servicing, the Rotomix has four easily detachable subassemblies: ■ mixing chamber ■ mixing blades ■ motorized gear drive unit for mixing blades ■ high-speed vertical rotor with drive unit. The mixing blades have adjustable and replaceable hard-faced side wear plates and end scraper tips, and rotate on a vertical axis through the mixing pan. The pan is fitted with vertical ribs for enhanced lump-breaking and mixing action.

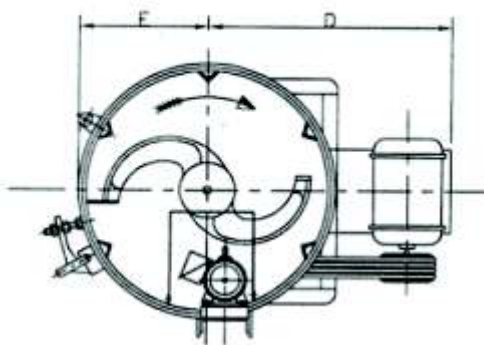
STAR FEATURES

- Shorter mixing time
- Efficient usage of bentonite
- Easy to operate and maintain
- Proven mixer design
- Countrywide after-sales service
- Wesman quality built in every machine



PRINCIPLE OF OPERATION

The blade rotation compresses the sand and cascades it from the ribbed walls to the center dome. The high-speed rotor, mounted vertically downward into the pan and driven by a separate motor, also has replaceable mixing blades. The rotor churns, tumbles and throws the sand-additive aggregates against each other, producing intensive mixing. The batch is prepared in a shorter cycle time, and is discharged as a completely aerated and perfectly homogenous mixture.



MODEL	BATCH CAPACITY	MOTOR HP		A	B	C	D	E
		MAIN	ROTOR					
RM-0	100 KG	5	0.5	613	397	832	717	322
RM-1	150 KG	7.5	1	788	484	1000	819	418
RM-2	250 KG	15	2	976	610	1163	977	515
RM-3	450 KG	25	3	1200	625	1305	1095	630
RM-5	700 KG	50	10	1504	650	1475	1486	774

1. FOR MODEL RM-2 TO RM-5 SKIP HOIST CHARGER CAN BE SUPPLIED (OPTIONAL)
2. PNEUMATIC DISCHARGE DOOR OPERATION CAN BE SUPPLIED (OPTIONAL)
3. DIMENSION 'C' MAY VARY ACCORDING TO GEARBOX MAKE
4. ALL MOTORS ARE TEFC 400/440VAC 3-PHASE 50 HZ (STARTER FOR MOTOR OPTIONAL)

THE WESMAN ENGINEERING CO PVT LTD
WESMAN CENTER, 8 MAYFAIR ROAD, KOLKATA 700019
TEL: +91 (33) 40020300 FAX: +91 (33) 22908050
EMAIL: foundry@wesman.com WEBSITE: www.wesman.com
Information in this document is non-binding and subject to modification

REGIONAL SALES AND SERVICE OFFICES:
 ■ MUMBAI (22) 28509521 ■ NEW DELHI (11) 26431723
 ■ CHENNAI (44) 28263581 ■ BANGALORE (80) 22225760
 ■ PUNE (20) 46703004 ■ AHMEDABAD (79) 30027355
 ■ HYDERABAD (40) 66312686 ■ NAGPUR (712) 6464349