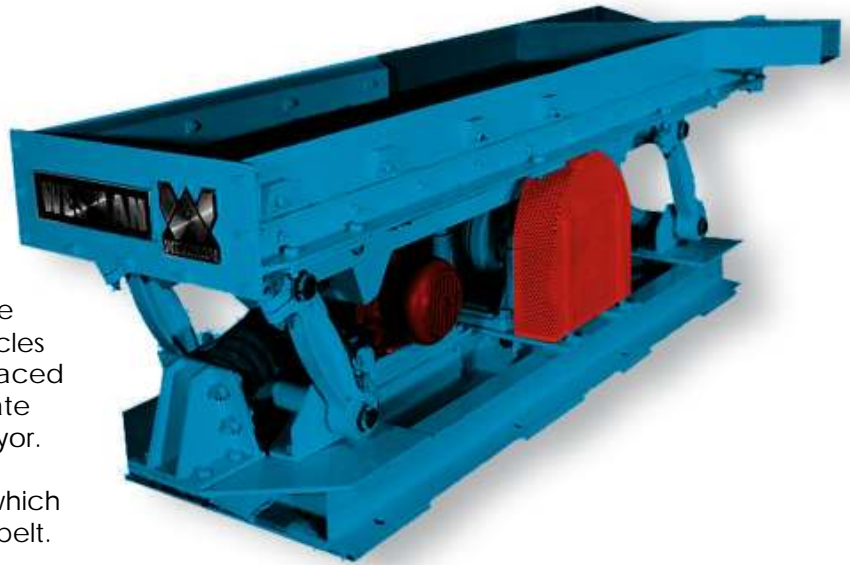


# OSCILLATING CONVEYOR



# WESMAN FOUNDRY EQUIPMENT

## OSC-SERIES



**WESMAN OSCILLATING CONVEYORS** are utilized to convey sand or other granular particles at a desired rate. The conveyor is generally placed under a vibrating shakeout or a grid to eliminate direct handling of hot sand by the belt conveyor. In the process of reciprocation, the oscillating conveyor cools the hot sand to some extent which increases the life of the return sand conveyor belt.

### STAR FEATURES

- Special oscillating pattern for efficient conveying
- Low wear rate of trough
- Continuous-duty design
- Suitable for sand plants
- Countrywide after-sales service
- Wesman quality built into every machine

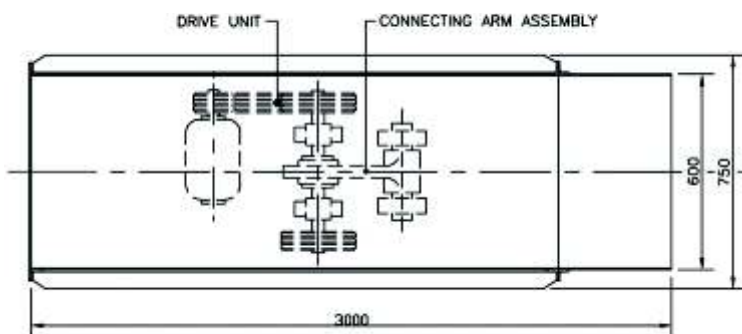
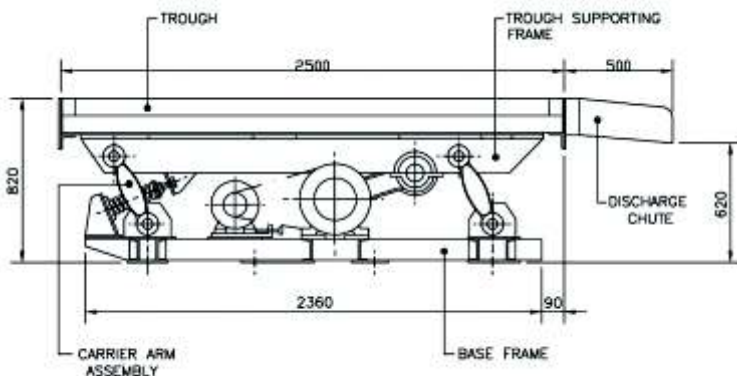
### CONSTRUCTION

The equipment comprises a metallic trough carried on inclined arms which are fitted with rubber bushes to handle the reciprocating motion of the trough. The oscillating motion of the trough is achieved via specially designed inclined arms and an eccentric shaft driven by a motor through V-belts.

### OPERATION

The eccentric shaft is mounted on anti-friction bearings and has V-pulleys at both ends with weights on them to counteract the unbalancing force. The rotation of the eccentric shaft provides a forward and backward motion to a connecting arm attached to the trough through a rubberized pin. A retaining spring assembly at the back of the trough absorbs shock load.

DRAWING SHOWS STANDARD CONVEYOR. TROUGH SIZE MAY BE ALTERED TO SUIT CLIENT'S REQUIREMENT.



MODEL	TPH	TROUGH W X L	FULL LENGTH INCL CHUTE	MOTOR HP
OSC-3-6	25-30	600 X 2500	3000	5
OSC-4-6	25-30	600 X 3500	4000	5
OSC-5-6	25-30	600 X 4500	5000	7.5
OSC-8-6	25-30	600 X 7500	8000	7.5

THE WESMAN ENGINEERING CO PVT LTD  
 WESMAN CENTER, 8 MAYFAIR ROAD, KOLKATA 700019  
 TEL: +91 (33) 40020300 FAX: +91 (33) 22908050  
 EMAIL: foundry@wesman.com WEBSITE: www.wesman.com  
 Information in this document is non-binding and subject to modification

REGIONAL SALES AND SERVICE OFFICES:  
 ■ MUMBAI (22) 28509521 ■ NEW DELHI (11) 26431723  
 ■ CHENNAI (44) 28263581 ■ BANGALORE (80) 22225760  
 ■ PUNE (20) 46703004 ■ AHMEDABAD (79) 30027355  
 ■ HYDERABAD (40) 66312686 ■ NAGPUR (712) 6464349