

# HOT AIR GENERATOR

## HAG



# WESMAN

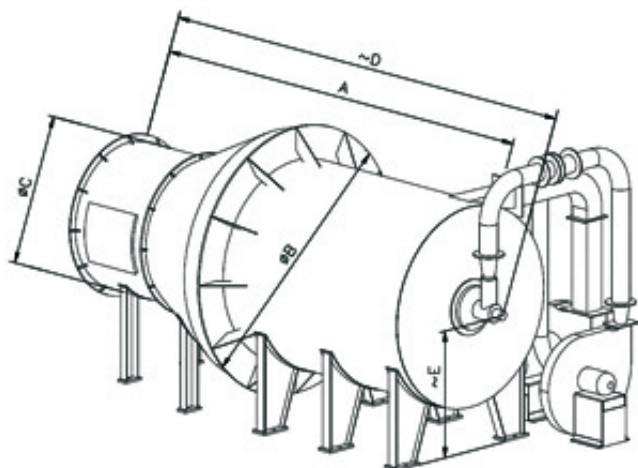
## FOUNDRY EQUIPMENT

**WESMAN HOT AIR GENERATORS** supply air heated to elevated temperature by mixing it with products of combustion from a burner. The hot air generator consists of an inner refractory-lined combustion chamber, venturi section where hot products of combustion mix with dilution air, and outlet section.

### STAR FEATURES

- Supplies clean soot free hot air at any pressure and temperature
- Uses any type of oil or gas as fuel
- Automatic or manual temperature control and burner ignition
- Rugged construction
- Excellent fuel economy
- Countrywide after-sales service network

The combustion chamber is lined with IS-8 firebrick, while the mixing chamber and the outlet section are lined with insulation brick. Air and oil pipelines required for combustion are included.



The combustion equipment comprises a Wesman oil burner with burner block, mounting plate, isolating valve, oil pumping and heating unit.

Hot air at a wide range of temperatures and pressures is produced for applications like foundry sand drying, shell sand coating, core drying rooms or ovens, drying and processing of ores and minerals, food processing, tea drying, seed drying and paint drying. Furnace oil, HSD, LDO, LPG or natural gas may be used as fuel.

**OPTIONAL ACCESSORIES: AUTO-IGNITION SYSTEM FOR BURNER TEMPERATURE CONTROLLER AND MODULATING MOTOR FOR AUTOMATIC TEMPERATURE CONTROL**

SL NO	MODEL HOTFLOW	AIR VOL CLUB M/HR AT 200°C	DIMENSIONS IN MM					REMARKS
			A	ØB	ØC	~D	~E	
1	L 25-5-100	1000	2149	1566	654	2167	1320	LDO
2	L 25-5-225	2250	2200	1566	654	2668	1320	LDO
3	L 25-5-350	3500	2403	1617	705	2871	1345	LDO
4	L 25-5-550	5500	2403	1617	705	2871	1345	LDO
5	L 25-5-880	8800	2863	1617	720	3331	1345	LDO
6	L 25-5-1530	15300	3503	1617	950	4078	1345	LDO
7	L 25-5-1850	18500	3516	1617	1045	4091	1345	LDO
8	L 25-5-2550	25500	6373	2074	1226	6948	1545	LDO
9	F 25-5-1000	10000	3503	1617	950	3971	1345	FURNACE OIL
10	F 25-5-1650	16500	3486	1769	986	4061	1365	FURNACE OIL
11	F 25-5-2800	28000	4841	2226	1314	5309	1645	FURNACE OIL

**THE WESMAN ENGINEERING CO PVT LTD**  
 WESMAN CENTER, 8 MAYFAIR ROAD, KOLKATA 700019  
 TEL: +91 (33) 40020300 FAX: +91 (33) 22908050  
 EMAIL: foundry@wesman.com WEBSITE: www.wesman.com  
 Information in this document is non-binding and subject to modification

**REGIONAL SALES AND SERVICE OFFICES:**

- MUMBAI (22) 28509521 ■ NEW DELHI (11) 26431723
- CHENNAI (44) 28263581 ■ BANGALORE (80) 22225760
- PUNE (20) 46703004 ■ AHMEDABAD (79) 30027355
- HYDERABAD (40) 66312686 ■ NAGPUR (712) 6464349