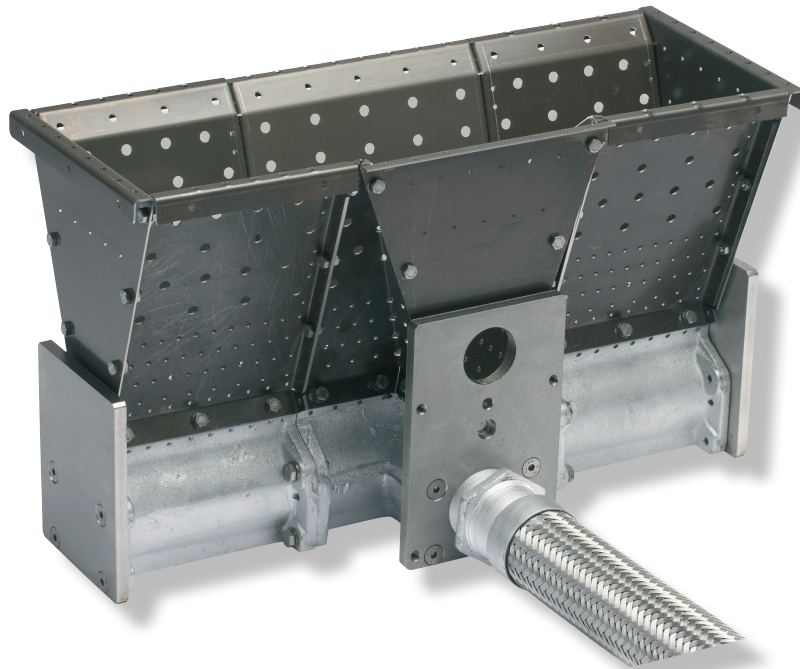


Flächenbrenner
Duct Burner

GRIDFIRE®



MODULAR AIR HEATING SYSTEM

Due to the modular designed basic components in I, T and X-shape, GRIDFIRE® makes the installation of air heater systems of nearly unlimited capacity possible. The maximum capacity of each single segment is up to 280 kW. Combination of the basic components makes the adaption to different air ducts possible.

Preferred applications of GRIDFIRE® are the direct heating of fresh air or of previously heated recirculating gases (max. entry temperature for standard systems is 400°C). GRIDFIRE® obtains the required combustion air out of the recirculating process air or as fresh air via separate blower.

DESCRIPTION

- Modular design makes unlimited thermal capacities possible
- High turn-down ratio
- Short flame length
- With or without controlled combustion air available
- Excellent temperature uniformity
- Available for Natural Gas, Propane/ Butane and other usual gases

CAPACITIES OF THE GRIDFIRE®-SEGMENTS

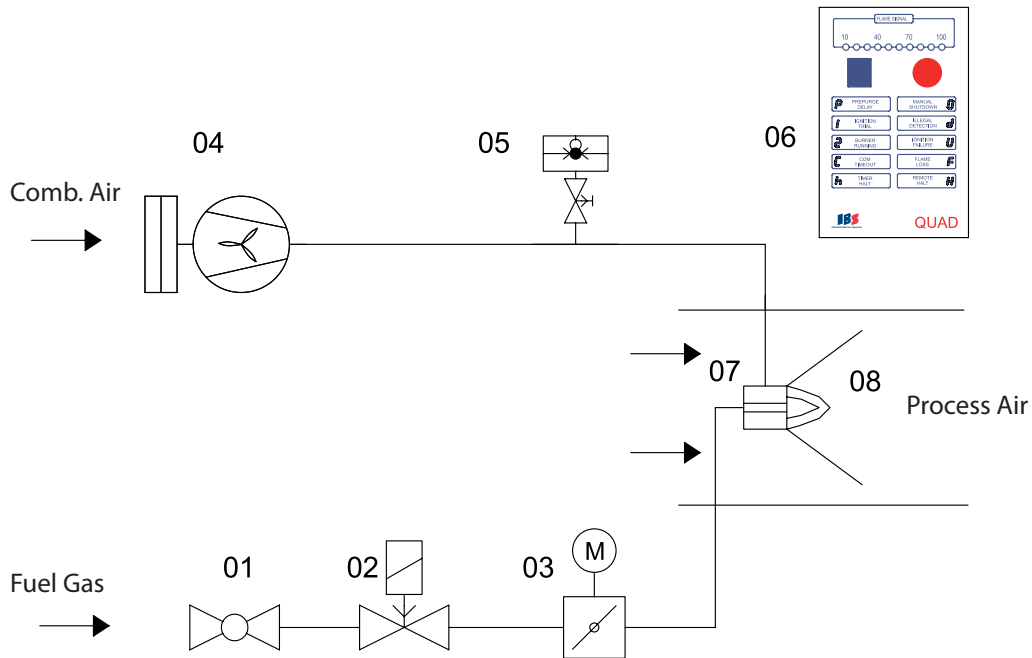
	Segment	I	T	X	
GRIDFIRE®	GF3	240	260	280	kW
GRIDFIRE®	GF2	180	195	220	kW
GRIDFIRE®	GF1	120	130	140	kW
Gas Pressure ^{1) 2)}	Natural Gas	60 ^{1) 2)}	60 ^{1) 2)}	60 ^{1) 2)}	mbar
Gas Pressure ^{1) 2)}	LPG	70 ^{1) 2)}	70 ^{1) 2)}	70 ^{1) 2)}	mbar
Air Pressure ^{1) 3)}		~ 10 ^{1) 3)}	~ 10 ^{1) 3)}	~ 10 ^{1) 3)}	mbar

¹⁾ plus system pressure

²⁾ Exact Data depend on the air pressure

³⁾ at max. air flow of 15 m³/h per m³ Natural Gas

SAMPLE GRIDFIRE®



01	Manual Shut-Off Valve	05	Pressure switch
02	Solenoid Valve	06	Burner Control Unit QUAD
03	Gas control valve	07	Air Duct
04	Combustion Air Fan	08	Duct Burner GRIDFIRE®

IBS Industrie-Brenner-Systeme GmbH

Delsterner Strasse 100 a
D - 58091 Hagen
Germany

Tel.: +49 (0) 2331 – 3484 00
Fax: +49 (0) 2331 – 3484 02 9

info@ibs-brenner.de
www.ibs-brenner.de

WESMAN THERMAL ENGG PROCESSES PVT LTD

WESMAN CENTER
8 MAYFAIR ROAD
KOLKATA 700019, INDIA

T: +91 (33) 40020300
F: +91 (33) 22816402

combustion@wesman.com
www.wesman.com



Non-binding brochure informations; subject to modifications.