

# OIL PREPARATION UNITS



# WESMAN COMBUSTION EQUIPMENT

## SPH DPH DPDH

### WESMAN OIL PUMPING AND HEATING

**UNITS** supply fuel oil at a predetermined constant pressure and temperature to ensure efficient combustion. These compact units prevent undesirable variations in temperature caused by heat loss and varying rates of oil flow in long oil lines from heaters located at considerable distances.

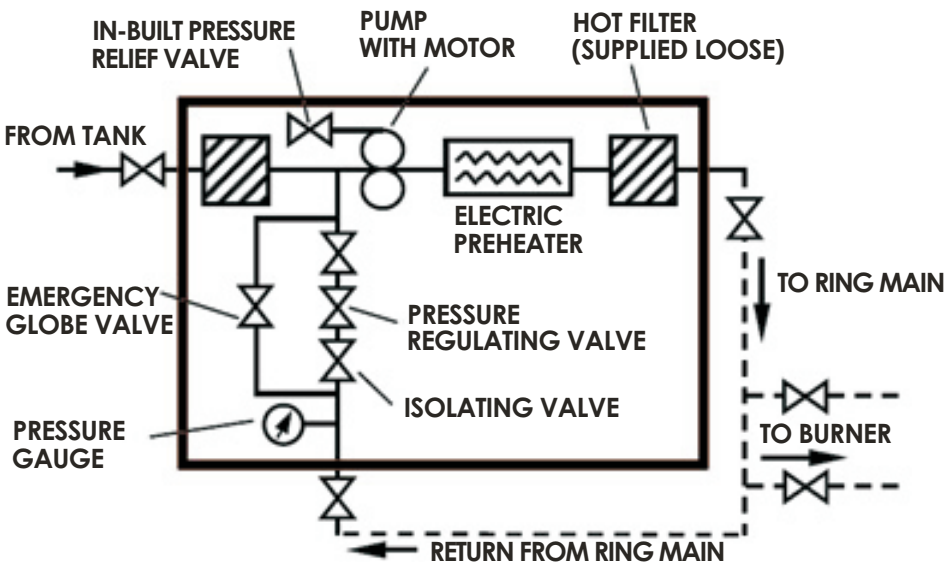
#### SIMPLEX MODEL SPH

One motorized rotary gear oil pump, one preheater and two simplex filters (one fitted in line, the other supplied loose to be fitted in outgoing line).

#### DUPLEX MODEL DPH

Two motorized rotary gear oil pumps (one working and one standby), one preheater and two simplex filters (one fitted in line, the other supplied loose to be fitted in the outgoing line).

**SPH and DPH can be ordered with optional duplex filter at extra cost.**



#### DUPLEX MODEL DPDH

Two motorized rotary gear oil pumps and two preheaters (while one set of pumps and preheaters is operating, the other set acts as a standby) with in-built three-way duplex filters.

Wesman Pumping and Heating units are generally manufactured as per the schematic shown on the left. The components are mounted on an MS tray and the units are supplied complete with necessary interconnecting pipe work.

**Standard units are available in sizes from 1 kW to 90 kW. Non-standard units can be designed on request.**

**WESMAN THERMAL ENGINEERING PROCESSES PVT LTD**  
WESMAN CENTER, 8 MAYFAIR ROAD, KOLKATA 700019, INDIA  
TEL: +91 (33) 40020300 FAX: +91 (33) 22816402  
EMAIL: combustion@wesman.com WEBSITE: www.wesman.com  
Information in this document is non-binding and subject to modification

#### REGIONAL SALES AND SERVICE OFFICES:

■ MUMBAI (22) 28509521 ■ NEW DELHI (11) 26431723  
■ CHENNAI (44) 28263581 ■ BANGALORE (80) 22225760  
■ PUNE (20) 46703004 ■ AHMEDABAD (79) 30027355  
■ HYDERABAD (40) 66312686 ■ NAGPUR (712) 6464349