

CORE SAND MIXER



WESMAN

FOUNDRY EQUIPMENT

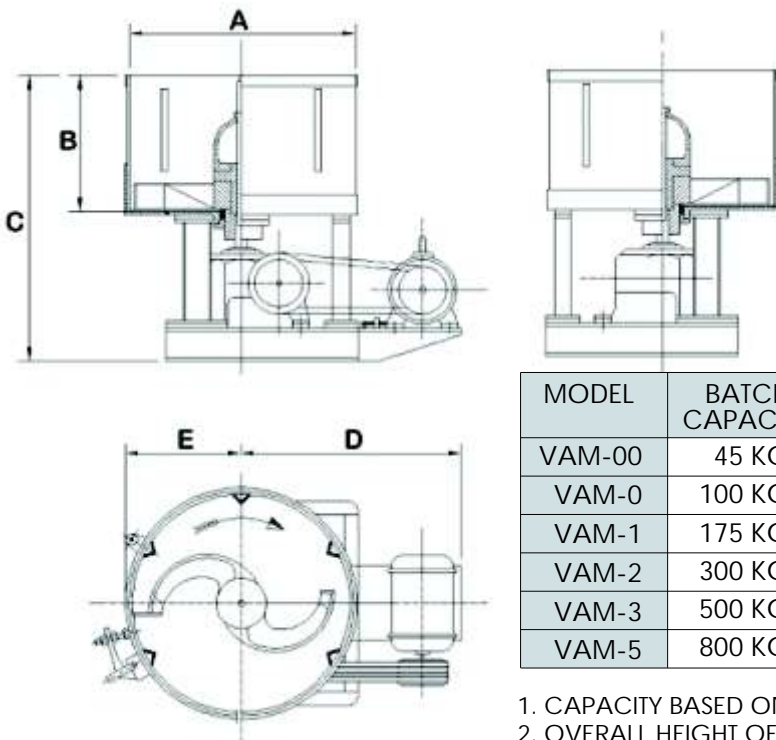
VAM-SERIES

WESMAN VAM-SERIES CORE SAND MIXERS are specially designed for intensive mixing of oil bonded, CO₂ and resin sand. Guaranteed spares availability and countrywide after-sales service makes the VAM mixer your safest investment and the best value for your money.

For quick servicing, the VAM mixer has three detachable subassemblies: ■ mixing chamber ■ mixing blades ■ motorized gear drive unit. The S-shaped streamlined heavy-duty mixing blades have adjustable and replaceable hard-faced side wear plates and end scraper tips, and rotate on a vertical axis through the mixing pan. The mixing pan is fitted with vertical ribs for enhanced lump-breaking and mixing action.

STAR FEATURES

- Shorter mixing time
- Efficient usage of bentonite
- Easy to operate and maintain
- Proven mixer design
- Countrywide after-sales service
- Wesman quality built in every machine



The blade rotation compresses and cascades sand from the ribbed walls to the centre dome. The continuous vortex action created by this tumbling motion produces highly effective mixing. The batch is prepared in a short cycle time, and is discharged as a completely aerated and perfectly homogenous mixture.

- OPTIONS: ■ SKIP HOIST CHARGER (VAM-2 TO VAM-5)
 ■ DISCHARGE DOOR PNEUMATIC CYLINDER WITH MANUALLY OPERATED VALVE (VAM-1 TO VAM-5)
 ■ DUST HOOD

MODEL	BATCH CAPACITY	MOTOR HP	A	B	C	D	E
VAM-00	45 KG	3	530	342	723	615	279
VAM-0	100 KG	5	613	397	832	717	322
VAM-1	175 KG	7.5	788	484	1000	819	418
VAM-2	300 KG	10	976	610	1163	977	515
VAM-3	500 KG	20	1200	625	1305	1095	630
VAM-5	800 KG	40	1500	650	1588	1647	762

1. CAPACITY BASED ON OIL CORE SAND. FOR OTHER SANDS CAPACITY WILL VARY
2. OVERALL HEIGHT OF ALL MIXERS MAY VARY WITH MAKE OF GEARBOX
3. ALL MOTORS ARE TEFC 400/440VAC 3-PHASE 50 HZ (STARTER FOR MOTOR OPTIONAL)

THE WESMAN ENGINEERING CO PVT LTD
 WESMAN CENTER, 8 MAYFAIR ROAD, KOLKATA 700019
 TEL: +91 (33) 40020300 FAX: +91 (33) 22908050
 EMAIL: foundry@wesman.com WEBSITE: www.wesman.com
 Information in this document is non-binding and subject to modification

REGIONAL SALES AND SERVICE OFFICES:
 ■ MUMBAI (22) 28509521 ■ NEW DELHI (11) 26431723
 ■ CHENNAI (44) 28263581 ■ BANGALORE (80) 22225760
 ■ PUNE (20) 46703004 ■ AHMEDABAD (79) 30027355
 ■ HYDERABAD (40) 66312686 ■ NAGPUR (712) 6464349