

# BALEOUT FURNACE



# WESMAN

## FOUNDRY EQUIPMENT

# B-SERIES



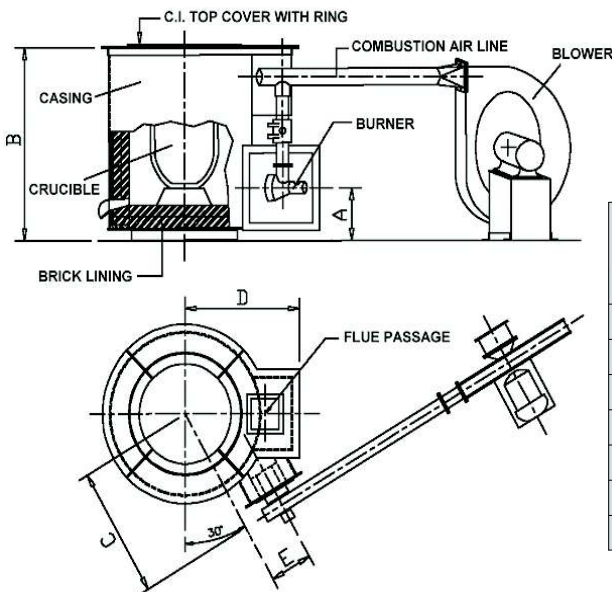
**WESMAN BALEOUT FURNACES** are efficient and complete melting and holding units for non-ferrous metals. The furnace is refractory-lined and comes as a complete package including blower, burner and crucible. The body is constructed from thick reinforced mild steel. The crucible is available in cast iron, graphite or silicon carbide.

### STAR FEATURES

- Rugged construction
- Efficient non-ferrous melting and holding
- Easy to operate and maintain
- Fitted with Wesman combustion equipment
- Excellent fuel economy
- Wesman quality built into every machine

The furnace is supplied with a Wesman oil burner (LPG or natural gas firing is also available as an option). Combustion air is provided by a Wesman centrifugal blower. Preheated oil at constant temperature and pressure is supplied to the burner by a Wesman heating and pumping unit.

The burner fires tangentially inside the shell lining into a circular combustion space so that the hot gases surround the crucible to ensure uniform heating. Waste gases exit through a flue at one side, allowing comfortable working conditions for the operator. Normally the flue discharge is upward for top exhaust. Optionally, waste gases can be collected in a fume extraction hood for discharge outside production area.



- OPTIONAL ACCESSORIES: ■ OIL SERVICE TANK  
 ■ OUTFLOW HEATER ■ FUME EXTRACTION UNIT  
 ■ MOTOR STARTER ■ SEMI-ROTARY PUMP FOR OIL TANK

MODEL	CHARGE IN KG AL	MELT TIME IN MIN		LITRES PER 100 KG AL	DIMENSIONS IN MM				
		FROM COLD	SUBSEQ. CHARGE		A	B	C	D	E
B-1	50	120	90	22-25	350	934	827	774	215
B-2	100	120	90	22-25	350	934	980	820	300
B-3	150	120	90	22-25	350	934	980	820	300
B-4	200	120	90	22-25	450	1048	980	820	300
B-5	250	120	90	22-25	450	1067	1031	871	349
B-6	300	120	90	22-25	400	1067	1031	871	349
B-7	350	120	90	22-25	382	1181	1144	1031	353

THE WESMAN ENGINEERING CO PVT LTD  
 WESMAN CENTER, 8 MAYFAIR ROAD, KOLKATA 700019  
 TEL: +91 (33) 40020300 FAX: +91 (33) 22908050  
 EMAIL: foundry@wesman.com WEBSITE: www.wesman.com  
 Information in this document is non-binding and subject to modification

REGIONAL SALES AND SERVICE OFFICES:  
 ■ MUMBAI (22) 28509521 ■ NEW DELHI (11) 26431723  
 ■ CHENNAI (44) 28263581 ■ BANGALORE (80) 22225760  
 ■ PUNE (20) 46703004 ■ AHMEDABAD (79) 30027355  
 ■ HYDERABAD (40) 66312686 ■ NAGPUR (712) 6464349