

DUAL FUEL LOW CV GAS BURNER



WESMAN

COMBUSTION EQUIPMENT

SERIES 6422XP

WESMAN 6422XP DUAL FUEL LOW CV e.g. PRODUCER GAS BURNERS are designed for lean gas (calorific value 1100 kcal/m³, velocity 12 m/sec) for heat treatment and non-ferrous melting furnaces, kilns, ovens, air heaters, dryers, chemical process equipment and other applications where superior temperature uniformity is required.

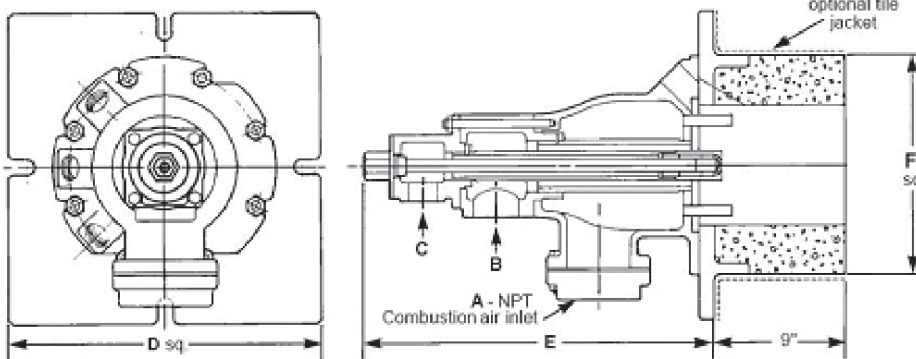
Burners can be lighted at rich, lean or correct air/fuel ratio, then immediately turned to high fire. Required oil pressure at the burner is nearly zero, but a pressure drop of about 0.7kg/cm² should be taken across the Sensitrol valve. If the furnace temperature after shutdown rises above 1000°C, pass air through the burner to prevent overheating of burner internals.

Required gas pressure is 175 to 225 mmwg at burner for producer gas. During gas operation, use at least 175 mmwg atomizing air to cool atomizer (full atomizing air may be used). For extended periods of operation on gas, atomizer can be withdrawn and stored.



CONSTRUCTION FEATURES: Air and gas inlets can be rotated in 90° intervals, but air and gas pipes should be brought in from top or side to prevent oil dripping into them. Standard tiles are 23 cm long. For installation convenience, burner body can be separated from mounting plate and tile assembly, but tile must be set in the wall with pilot and flame detector notches in proper location relative to intended burner body position.

BURNER MODEL	CAPACITY		COMBUSTION AIR				ATOMIZING AIR FOR OIL	
	PG m ³ /hr	Oil LPH	VOLUME M ³ /HR		PRESSURE MMWC		Pressure mmwc	Volume m ³ /hr
			For gas	For Oil	For gas	For Oil		
6422XP-5-B	45	5	57	41	660	352	792	16
6422XP-7A-C	91	10	113	97	878	660	792	16
6422XP-7A-D	136	15	170	154	748	616	792	16



Generally in most of the Producer Gas manufactured is having tar. In case of presence of tar, it is recommended that gas line items such as limiting orifice valve, metering orifice valve, air/gas ratio regulators, mass flow control or pressure balance control should not be used as they will get choked due to tar. In case of tar free product gases, all gas line items can be used with it.

Wesman 6422XP burner can be also used with higher calorific value gases after modification in internal.

CLEARANCE DIMENSIONS						
Burner Model	A	B	C	D	E	F
6422XP-5-B	64 mm	38 mm	25 mm	305 mm	346 mm	216 mm
6422XP-7A-C	102 mm	64 mm	32 mm	343 mm	454 mm	254 mm
6422XP-7A-D	102 mm	64 mm	32 mm	343 mm	454 mm	254 mm

WESMAN THERMAL ENGINEERING PROCESSES PVT LTD
 WESMAN CENTER, 8 MAYFAIR ROAD, KOLKATA 700019, INDIA
 TEL: +91 (33) 40020300 FAX: +91 (33) 22816402
 EMAIL: combustion@wesman.com WEBSITE: www.wesman.com
 Information in this document is non-binding and subject to modification

REGIONAL SALES AND SERVICE OFFICES:
 ■ MUMBAI (22) 28509521 ■ NEW DELHI (11) 26431723
 ■ CHENNAI (44) 28263581 ■ BANGALORE (80) 22225760
 ■ PUNE (20) 46703004 ■ AHMEDABAD (79) 30027355
 ■ HYDERABAD (40) 66312686 ■ NAGPUR (712) 6464349