

# LIGHT OIL SMALL BURNERS

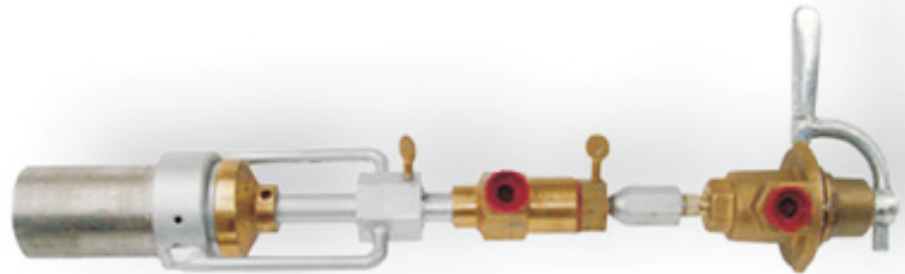


# WESMAN COMBUSTION EQUIPMENT

## SERIES 5680

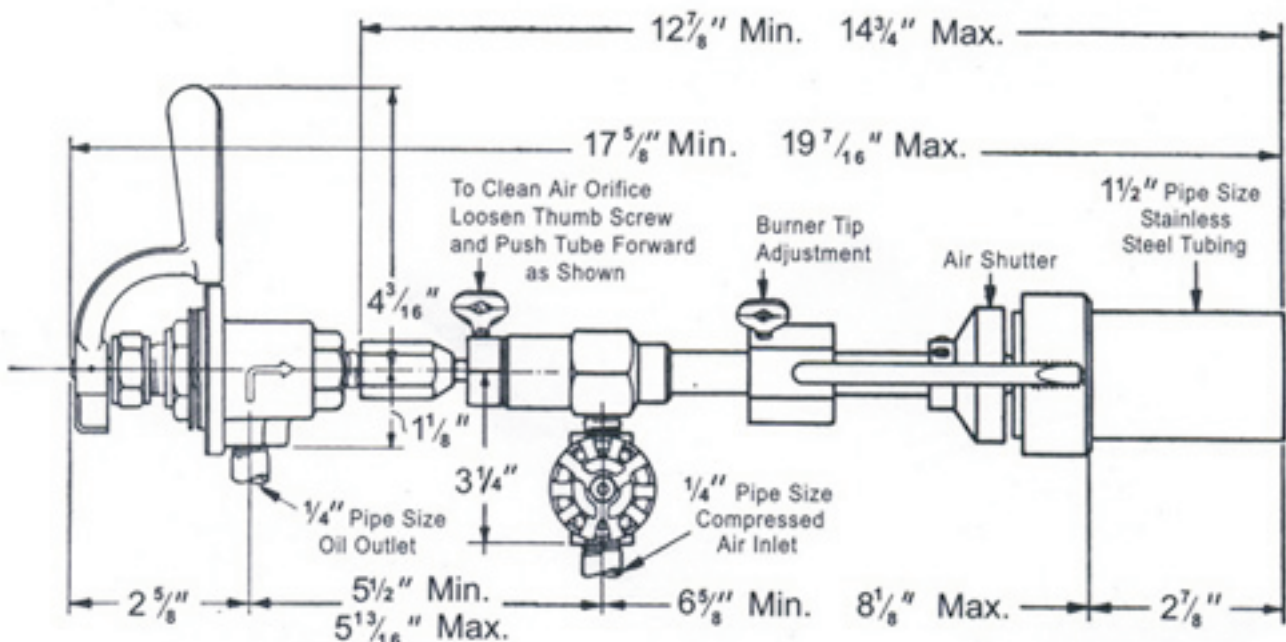
**5680 LIGHT OIL SMALL BURNERS** are sturdily constructed, light in weight, and give flames suited for many uses. Foundries, forging plants, and diecasting plants find them exceedingly convenient for skin-drying molds, heating dies, ladles or ladle lips. They can be used to fire improvised furnaces, preheat castings for welding, and supply heat to various kinds of highway maintenance equipment.

A self-cleaning oil atomizer and an adjustable secondary air shutter make the use of these oil torches quite flexible. They may be mounted permanently or used as hand torches when connected to compressed air and oil supply with flexible hoses. Series 5680 Portable compressed air oil Torches come equipped with air and oil control valves, as shown, and are designed for light oil only.



5680 TORCH	AIR INLET PRESSURE PSI	OIL INLET PRESSURE PSI	GALLONS OF OIL PER HOUR	COMPRESSED AIR CU FT/MIN
MINIMUM	2	1	1/2	0.35
MAXIMUM	15	6	4	1.25

### DIMENSIONS AND SPECIFICATIONS



WEIGHT FOR COMPLETE TORCH AS SHOWN IN 6 LB

**WESMAN THERMAL ENGINEERING PROCESSES PVT LTD**  
WESMAN CENTER, 8 MAYFAIR ROAD, KOLKATA 700019, INDIA  
TEL: +91 (33) 40020300 FAX: +91 (33) 22816402  
EMAIL: combustion@wesman.com WEBSITE: www.wesman.com  
Information in this document is non-binding and subject to modification

**REGIONAL SALES AND SERVICE OFFICES:**

- MUMBAI (22) 28509521 ■ NEW DELHI (11) 26431723
- CHENNAI (44) 28263581 ■ BANGALORE (80) 22225760
- PUNE (20) 46703004 ■ AHMEDABAD (79) 30027355
- HYDERABAD (40) 66312686 ■ NAGPUR (712) 6464349