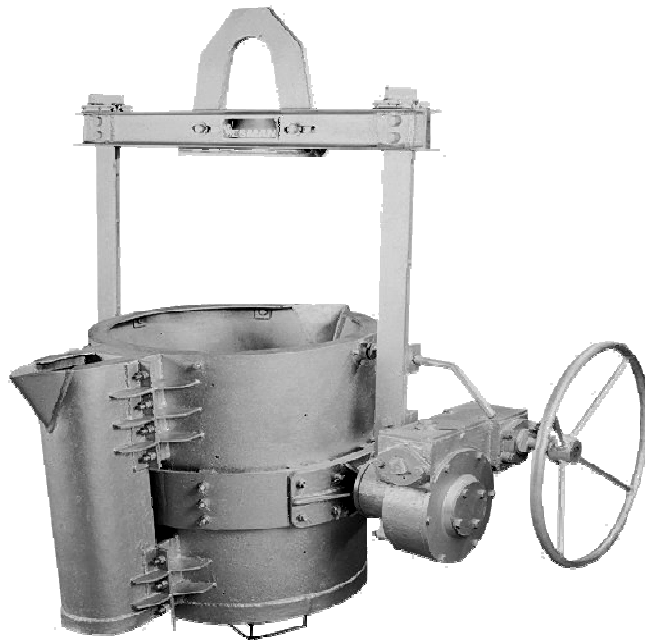


POURING LADLES

FOUNDRY EQUIPMENT

WESMAN LADLES are designed to IS specifications and built to withstand years of rigorous service. Wesman makes geared, crane-suspended, lip-pouring, teapot spout and drum-type ladles for iron foundries, and geared and crane-suspended bottom-pouring ladles for steel foundries, from 500 kg to 20 tons, as well as large crane tilting-type ladles and small lip-pouring ladles for monorail rack hoist pouring.



The welded-construction shell is fabricated from mild steel plate with vent holes, and reinforced with a body holding ring. The ring is welded to the shell with small wedges which create air gaps that prevent the trunnion and gearbox from being heated by conduction. The spout is welded to the shell at 90° to the trunnion position. The bail arm consists of top and side members and a hook eye plate connected by bolts.

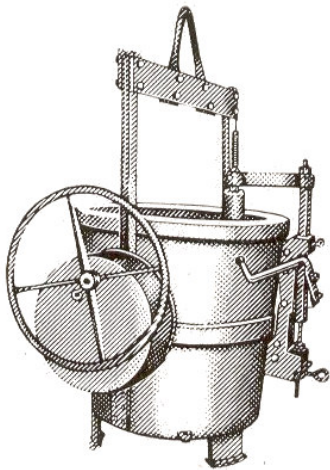
For smooth and effortless operation a gear tilting mechanism operated by a hand wheel is provided in a totally enclosed casing packed with lubricants. A safety catch is also provided, which when engaged prevents movement of the ladle. Bottom-pouring ladles come with a stopper rod mechanism, which consists of a stopper rod carrier, slide and swivel operation lever. Detachable bail arms are also available for crane tilting-type non-gear ladles.

ALL REFRACTORY MATERIALS, INCLUDING REFRACTORY NOZZLES AND SLEEVES, ARE EXCLUDED FROM WESMAN'S SCOPE OF SUPPLY.

SEE REVERSE FOR INSTALLATION DIMENSIONS

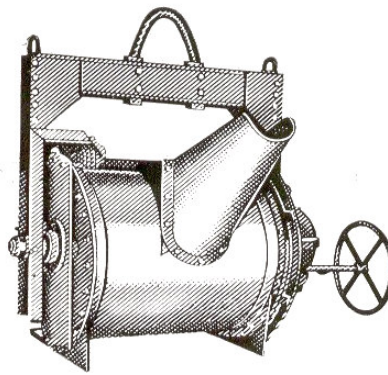
STAR FEATURES

- ▶ Built for years of rigorous operation
- ▶ Correctly balanced for safe operation
- ▶ Totally enclosed gearbox
- ▶ Built to IS specifications
- ▶ Low maintenance
- ▶ Countrywide after-sales service
- ▶ Wesman quality built into every machine



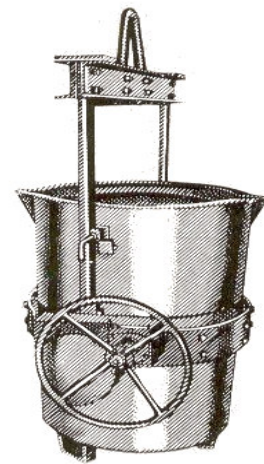
■ **GEARED CRANE
BOTTOM POURING
LADLES**

AVAILABLE FROM 0.5
TONS TO 20 TONNES



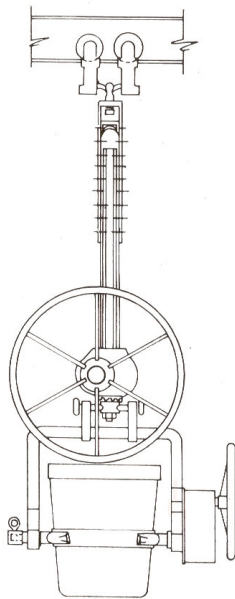
■ **GEARED CRANE
DRUM TYPE
LADLES**

AVAILABLE FROM
1 TON AND ABOVE



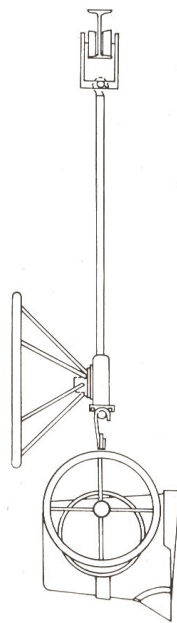
■ **GEARED CRANE
LIP POURING
LADLES**

AVAILABLE FROM 0.5
TON TO 15 TONNES



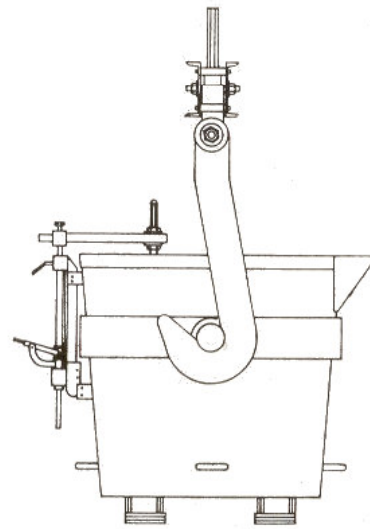
■ **MONORAIL TYPE LADLES WITH
RACK HOIST AND TROLLEY**

AVAILABLE UP TO 0.75 TON



■ **CRANE TILTING LADLES**

AVAILABLE FROM 8 TONNES
AND ABOVE. DETACHABLE
ARM CAN BE SUPPLIED



■ **ALSO AVAILABLE:**

TEAPOT SPOUT LADLES, CUSTOM-SPECIFICATION LADLES, OIL/GAS FIRED PREHEATERS

WESMAN LADLES ARE MANUFACTURED CONFORMING TO I.S. SPECIFICATIONS WHERE APPLICABLE